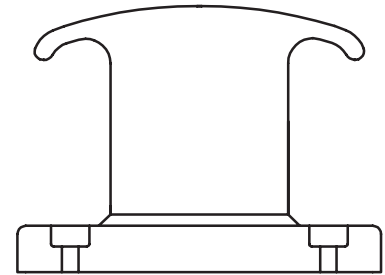
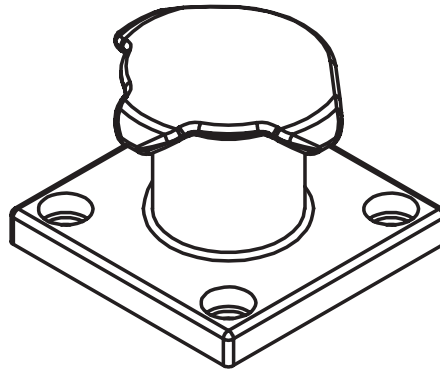


Elephant Head Bollard

Available from SWL 50 kN - 3000 kN



THESE TYPE BOLLARDS ARE MAINLY USED IN THE PORT OF ROTTERDAM



BENDER BOLLARDS EMO QUAY WALL SWL 1500 kN



BENDER BOLLARD QUAYWALL VELSEN SWL 600kN



BENDER BOLLARDS IN ALEXIA PORT ROTTERDAM SWL 1500 kN